



AWNINGS



... be inspired.



AWNINGS

... be inspired.

Be inspired by design trends and change your terrace or balcony into a nice place to relax. Wide collection of high-quality colour fabrics allows you to choose according to your wishes.

Awnings combine practicality and elegance. They represent an effective protection against sunrays and complete the appearance of your house. Due to their simple construction and high quality design, the awnings are often used not only for shading terraces of family houses but also in the commercial sphere.



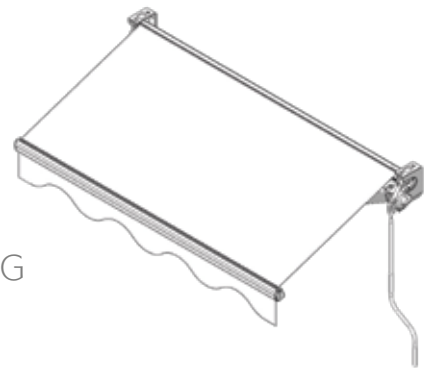
ISOTRA AWNINGS PROVIDE:

- Roof for small and large terraces and verandas;
- a wide collection of SATTLER fabrics with special TEXgard surface treatment or a collection of GIOVANARDI fabrics with Fluorocarbon, Duraclean and Teflon/scothgard surface treatment, thanks to which they meet the Swiss Standard 100 certificate (OEKO-TEX)
- used SUNACRYL fibres and mass dyeing technology (solution dyed acrylic fabrics) ensure high colour fastness of awning fabrics;
- possibility of electrical control and choice of sun / wind sensor;
- maximum extension of 4 m;
- awning arms made of special aluminium alloy.



JASMINA

AN AWNING WITHOUT ANY CARRYING PROFILE



JASMINA is a lightweight horizontal awning which stands out for its lightness and airiness thanks to its simple design without any carrying profile. It is widely used for shading terraces, balconies or restaurants. The outdoor awning Jasmina will reliably protect you not only against sunrays; due to a special surface treatment Cleangard applied to the fabric, it is able to cope also with moderate rain. The awning structure consists of two side brackets between which there is a cylinder made of zinc-coated steel that serves for winding the fabric. Arms are ended with

a front profile containing a drip ledge to drain rain water and are attached to these brackets. Folding arms are made of special aluminium alloy and their positioning is optimally scalable.

The awning can be sheltered by a canopy made of zinc-coated sheet metal which protects the fabric against atmospheric influences and enhances the overall aesthetic appearance of the awning. Awning fabrics SATTLER and GIOVANARDI are resistant against fungi and keep high colour durability thanks to the special treatment.

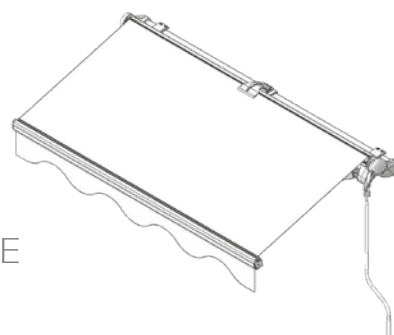


Extension	1,5 m; 1,75 m; 2 m; 2,25 m; 2,5 m; 2,75 m; 3 m
Maximum extension	3 m
Maximum width	4,8 m
Minimum width	Extension + 0,5 m
Informative weight on one standard meter of width	10 kg
Arm type	Folding, aluminium, with springs and belt
Motion angle	20° - 75°
Winding shaft size	70 mm, 78 mm
Structure colour	Standard white RAL 9016, other RAL colours
Pelmet	Height 21 cm (+/- 0,5 cm)
Manual control	Handle 150 cm, 180 cm, 250 cm
Electric control	Motor, motor with emergency handle, remote control, automatic wind / sun sensor, Tahoma
Canopy	On request
Assembly	To the facade or into the ceiling
Printing on awning	On request



STELA

AN AWNING WITH A CARRYING PROFILE



Spend a beautiful afternoon in the pleasant shadow of the outdoor awning STELA. The Stela awning with a carrying profile combines elegance and functionality. Its design provides high durability even during an intensive use in private as well as commercial sectors and is particularly suitable for shading large areas.

The awning structure consists of brackets with a carrying steel profile, articulated arms, cylinder for winding the fabric, front profile and control mechanism. The front profile is fitted with a drip ledge which prevents the formation

of water pockets on the awning unreel and serves for draining rain water. As regards this awning, we offer a version with cross-arms which allow an extension of the awning greater than its actual width.

The coiled awning can be protected by a canopy made of zinc-coated sheet metal. The awning coat can be manufactured from a special awning fabric SATTLER and GIOVANARDI. The same material can be also used for the pelmet whose shape and size are optional.

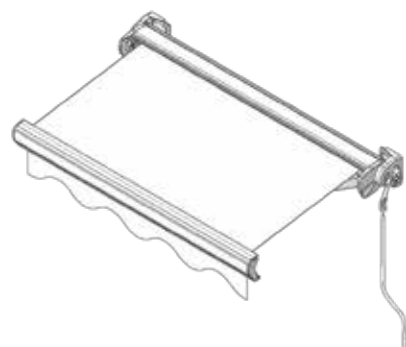


Carrying profile	40 x 40 mm
Extension	1,5 m; 1,75 m; 2 m; 2,25 m; 2,5 m; 2,75 m; 3 m; 3,25 m; 3,5 m; 3,75 m; 4 m
Maximum extension	4 m (3,5m for crossed arms and half-cassette)
Maximum width	7 m
Minimum width	Extension plus 0,5m (standard arm structure); extension minus 0,75m (crossed arm structure)
Informative weight on one standard meter of width	14 kg
Arm type	Folding, aluminium, with springs and belt
Motion angle	15° - 45° for max. extension 2,5 m; 5° - 45° for max. extension 3,5 m
Winding shaft size	78 mm
Structure colour	Standard white RAL 9016, other RAL colours
Pelmet	Height 21cm (+/- 0.5 cm)
Manual control	Handle 150 cm, 180 cm, 220 cm, 250 cm
Electric control	Motor, motor with emergency handle, remote control, automatic wind / sun sensor, Tahoma
Canopy	On request
Assembly	To the facade, ceiling or roof
Printing on awning	On request



EMMA

CASSETTE AWNING



Enjoy the summer atmosphere and relax in the pleasant shadow of the the awning EMMA. The cassette awning EMMA is a smart sun shade with a rounded cassette which is suitable for places where the exposed construction would be distracting. The cassette has an aesthetic as well as protective function. When coiled, the fabric is perfectly hidden inside the cassette being thus protected against external weather influences.

Mounting brackets allow an easy installation and adjustment of arms from the vertical up to horizontal inclination. By using the eccentric screws in arm holders, the user can centre the arms into the plane.

The awning coat can be manufactured from a special awning fabric SATTLER and GIOVANARDI. The same material can be also used for the pelmet whose shape and size are optional. A canopy is not necessary because the cassette completely protects the fabric against unfavourable weather conditions.

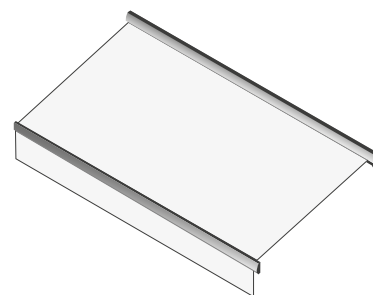


Extension	1,5 m; 1,75 m; 2 m; 2,25 m; 2,5 m; 2,75 m; 3 m
Maximum extension	3 m
Maximum width	5 m
Minimum width	2.050 m (motor); 2.120 m (handle)
Informative weight on one standard meter of width	15 kg
Arm type	Folding, aluminium, with springs and belt
Motion angle	0° - 50°
Winding shaft size	70 mm, 78 mm
Structure colour	Standard white RAL 9016, other RAL colours
Pelmet	Height 21 cm (+/- 0.5 cm)
Manual control	Handle 150 cm, 180 cm, 250 cm
Electric control	Motor, motor with emergency handle, remote control, wind/sun/shock sensor, Tahoma
Assembly	To the facade into the ceiling
Printing on awning	On request



OLIVIA

CASSETTE AWNINGS



The awning OLIVIA is one of the most deluxe models on a European scale. Technologically sophisticated product satisfies even the most demanding customer requirements for luxury, comfort and functionality in conjunction with a long service life. With its drop or depth of at least 4 metres, it is ideal for a large terrace area.

The electric vario valance is optional original accessory of the awning OLIVIA. The lighting integrated into the bottom of the cassette can be added or you can choose other additional equipment (e.g. heating). The awnings can be coupled up to total width 12 m (2 pcs of awning).

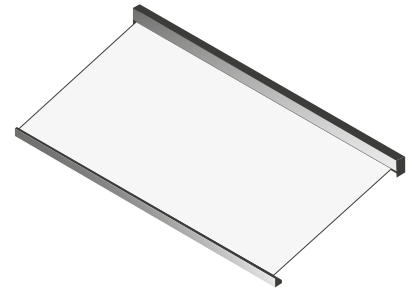


Extension	2 m; 2,5 m; 3 m; 3,5 m; 4 m
Max. extension	4 m
Min. width	2,75 m
Max. width	7 m
Informative weight on one standard meter of width awning:	
without a rear box	20 kg
with a rear box	22 kg
with vario valance	24 kg
Arm type	folding aluminium with spring and belt
Angle of arm slope	10° - 45°
Winding shaft size	85 mm, 40 mm (variovalance)
RAL colour of construction	RAL 1015, 7016, 7016 Structure, 7035, 8014, 9006, 9007, 9010
Valance height	height 210 mm / 250 mm / 300 mm
Variovalance	max. height 1,4 m
Manual control	-
Electric control	motor, remote control, wind/sun/shock sensor, Tahoma
Assembly	on the facade, ceiling or roof
Printing on awning	on request



DAKOTA

CASSETTE AWNINGS



The awning DAKOTA with its sleek design guarantees a harmonious embellishment for your facade. The closed cassette system ensures that the fabric is fully protected, even in places that are not sheltered from rain or wind. Sun protection in the daytime, atmospheric after sunset.

The lighting integrated into the bottom of the cassette can be added or you can choose other additional equipment (e.g. heating). The awnings can be coupled up to total width 12 m (2 pcs of awning).



Extension	2 m; 2,5 m; 3 m; 3,5 m
Max. extension	3,5 m
Min. width	2,55 m
Max. width	7 m
Informative weight on one standard meter of width	20 kg
Arm type	folding aluminium with spring and belt
Angle of arm slope	10° - 35°
Winding shaft size	78 mm
RAL colour of construction	RAL 1015, 7016, 7016 Structure, 7035, 8014, 9006, 9007, 9010
Valance height	height 210 mm
Manual control	handle
Electric control	motor, remote control, wind/sun/shock sensor, Tahoma
Assembly	on the facade
Printing on awning	on request



COLLECTION OF AWNING FABRICS

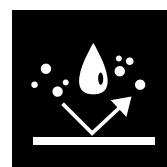
YOU CAN CHOOSE FROM A WIDE RANGE OF COLOURS AND PATTERNS FROM LEADING EUROPEAN SUPPLIERS, THE AUSTRIAN SUPPLIER SATTLER AND THE ITALIAN SUPPLIER GIOVANARDI. BOTH SUPPLIERS ARE CHARACTERIZED BY HIGH-QUALITY MATERIALS, THEIR HIGH-WATER REPELLENCY AND ESPECIALLY COLOUR STABILITY.

Awning fabrics have a surface treatment that ensures excellent resistance to UV radiation and a long life. The fabrics are non-toxic and thus the manufacturers guarantee that they are health-harmless and environment-friendly.

When choosing a fabric, it is also advisable to think about the fact that the extended awning can affect the colours in the interior as well. The importance of choosing a shade of fabric is also placed on coordinating with the colours of the architectural and natural elements in the area.

The right choice of material also significantly improves the energy efficiency of the house.

All awning fabrics from our sample book can also be used for Veranda HRV52.





SATTLER AWNING FABRICS

THE FABRICS HAVE A SPECIAL TEXGARD SURFACE TREATMENT, WHICH IS CHARACTERIZED BY HIGH QUALITY AND LONG-TERM PROTECTION.



This technology slows down the aging process and that is why the fabric keeps its appearance for a much longer time. Each fibre is carefully covered with a protective coating. The impregnation prevents penetration of water, moisture and dirt and thus supports the self-cleaning effect. The dirty drops of water then do not penetrate directly into the fabric but remain on its surface and run down.

Fabrics in the ELEMENTS category are composed of 100% basic acrylic fibre. Thanks to the acrylic yarn, the fabrics remain bright and attractive. We include Stripes, Cirrus, Elements, Urban, Lines, Grating, Birch and several fabrics from the Solids collection in this category.

Fabrics belonging to the LUMERA category are composed of 66% basic acrylic and 33% CBA, a.k.a. Clean Brilliant Acryl. This means one-third pure high-quality acrylic, which ensures a smoother and stronger surface of the fabric, improves the self-cleaning effect, the colours are brighter and stay clean longer. This category includes the Landscape, Landscape MINI, Leaf and Solids collections.

The last category is LUMERA 3D, where the fabrics are composed of 33% basic acrylic and 66% CBA. Fabrics in this group contain 2x purer and more high-quality acrylic than fabrics in the LUMERA category. Owing to this, they are unique both visually and in a tactile way. The fine structure of the fabric is combined with a special light effect. We include fabrics from the Surface collection in the LUMERA category.



S LINE 994



S SOLI 079



S SOLI 098



S STRI 778



S LEAF 775



S STRI 254



GIOVANARDI AWNING FABRICS

IRISUN ACRYLIC FABRICS ARE DYED DIRECTLY INSIDE THE ACRYLIC FIBER, WHICH ENSURES EXCELLENT COLOUR RESISTANCE TO UV RADIATION AND GUARANTEES LONG LIFE AND SHINE.



The fabrics have a Fluorocarbon finish, thanks to which they can repel water and oily substances. Nevertheless, they preserve a certain degree of porosity that allows air and water vapor to pass through.

The special Duraclean treatment protects the textile fibre from aging over time. High water, smog and other air pollution repellency is ensured by the TEFLON/SCOTCHGARD surface treatment.

Awning fabrics are strictly tested to ensure a high level in the ranking of quality fabrics. Resistance to aging is determined by the QUV test, which reproduces damage caused by sun-

light, rain and dew. Within a few days (weeks) it is possible to evaluate the damage that occurs after years of use in outdoor areas. The fabrics are also tested for resistance to abrasion and pilling.

IRISUN fabrics meet the Standard 100 certificate from OEKO-TEX. The certification checks compliance with limit values of contaminants according to the strictest European and American standards.

The collections Filare, Haiti, Confine, Quadra, Textures and Clear are included in this group.



G CLEA 013



G CLEA 250



G CLEA 235



G FILA R 202



G OCNF 572



G TEXT 675







ISOTRA a.s.

Bílavecká 2411/1, 746 01 Opava
Czech Republic

Tel.: **+420 553 685 111**

E-mail: isotra@isotra.cz

www.isotra.com

Released: 1/2024

ISOTRA Partner:



... be inspired.