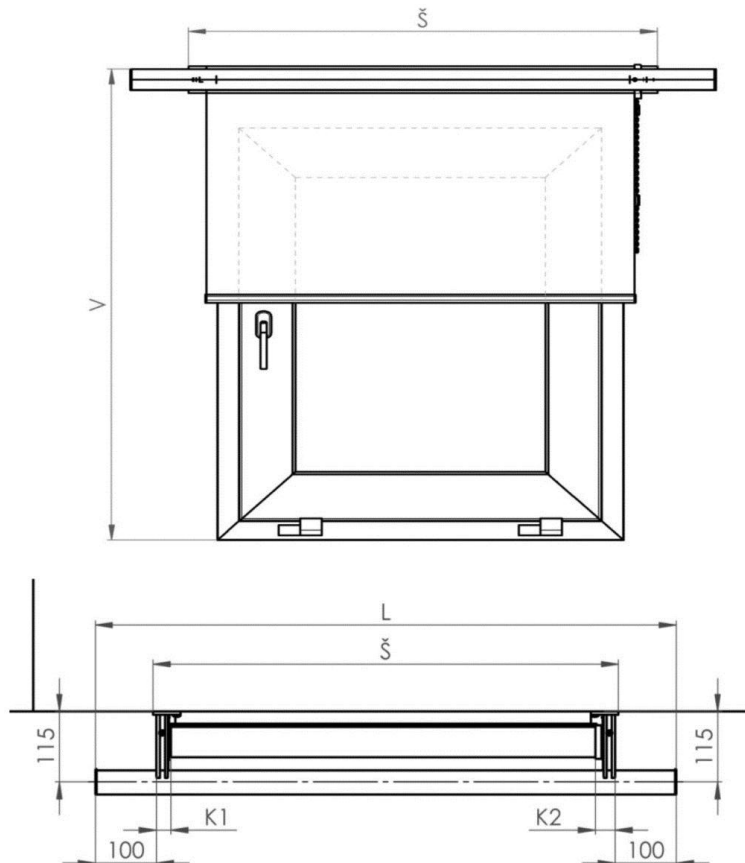


SUNLITE INTERIOR BLIND



1. MEASUREMENTS

The blind is usually installed in front of the hole with assembly on the ceiling or the wall.

THE WIDTH AND HEIGHT ARE MEASURED IN THE FOLLOWING MANNER:

w.... (width)

width of the blind (order number š) = required width of the cloth + 70 mm anchoring elements (K1+K2).

ATTENTION! The construction dimensions of the blind are greater by 200 mm (100 mm on each side) than the width of blind š (the real width of the whole element of the blind, including decorative cover frame L)

The height of the blind is produced with a precision of millimetres up to the height of 2,400 mm.

X < 1400mm tubes 25mm

1400mm < X < 2400mm diameter of the tube 38mm

IT IS RECOMMENDED TO CONSULT WITH THE MANUFACTURER IF DIMENSIONS ARE OUTSIDE THE STATED LIMITS.

h (height)

height of the blind (order dimension v) = requested total height of the blind, including the decorative upper bar. The height of the blind is produced in a precision of millimetres up to the height of 1,700mm.

IT IS RECOMMENDED TO CONSULT WITH THE MANUFACTURER IF DIMENSIONS ARE OUTSIDE THE STATED LIMITS.

LENGTH OF THE CONTROL:

unless stated in the order otherwise, 2/3 of the height of the blind is selected in the standard variant.

PROFILE COLOURS

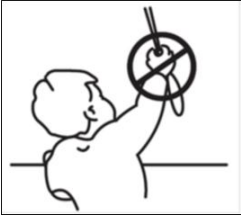
- Elox
- White
- Other (Ral = only after consulting with the producer)

CLOTH

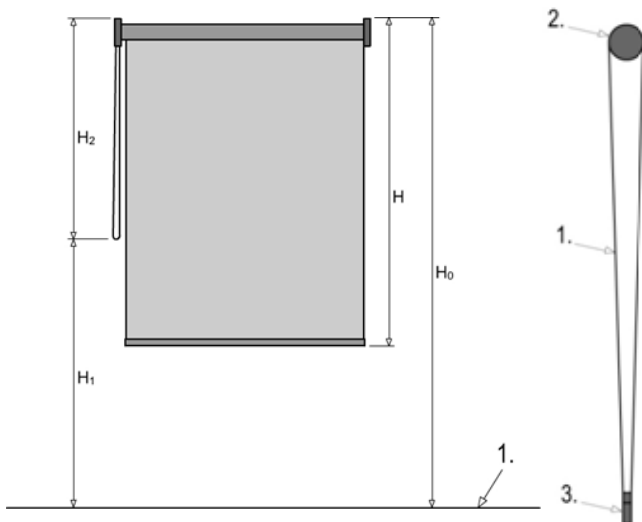
- according to the actual cloth sample chart ISOTRA a.s.

LIGHTING

- For blinds with LED lighting, it is necessary to prepare the electric installation (supply 230V/50Hz for the transformer)
- lighting variants must be consulted with the manufacturer, Isotra a.s.

ATTENTION!


Pursuant to the EN 13120:2014 standard, window blinds shall be installed in accordance with the following instructions:

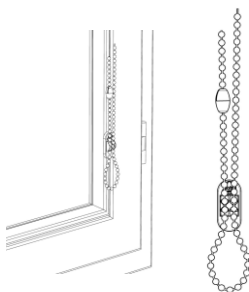

Chain:

If a breakaway coupler is used:

The chain length must be limited as follows:

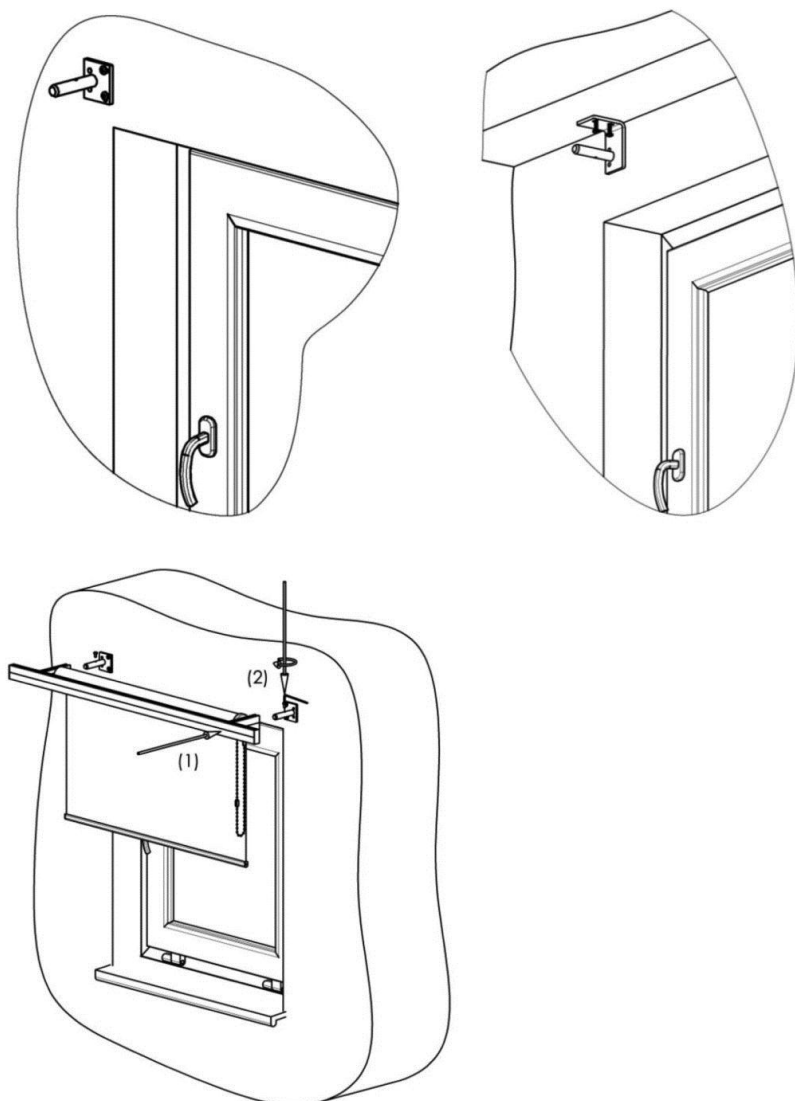
- 1) If installation height (H_0) is not specified, the chain length (H_2) shall be less than or equal to $2/3$ of the blind height (see Fig. 1): $H_2 \leq 2/3 H$.
- 2) If installation height (H_0) is specified, the distance from the floor to the bottom part of the pull cord (H_1) shall be at least 0.6 m: $H_1 > 0.6 \text{ m}$.

A dangerous loop must be eliminated when a mass of 6 kg is applied or within 5 seconds of application.



APPLY ONE HALF OF THE COUPLER TO EACH END OF THE CHAIN AND THEN LOCK BOTH COUPLER HALVES.

Assembly



The assembly is exactly performed according to this manual; this will prevent redundant assembly errors or other related problems.

AIDS USED DURING ASSEMBLY:

- electric drill
- screws, dowels (according to the material for load-bearing part)
- knife, scissors
- Allen wrench No. 4

INSPECTION:

- before assembly we recommend inspecting all parts after delivery of the goods to prevent any problems. Any defects or comments concerning the assembly or blinds must be notified to the manufacturer.

ASSEMBLY

- check that the dimensions of the blind correspond to the ordered dimensions
- mark the place for fixation of the side assembly consoles of the blind (two anchoring places per one part); the blind must be fitted in the horizontal position
- drill holes into the marked places with the respective size; according to selected anchoring elements, remove the assembly consoles from the blind and fix them by joining elements to the wall
- mount the whole blind (1) on the assembly console pins and fix it from upwards with screws M5 x 10 (2)
- complete the alignment of the upper and the lower position using two couplings, if necessary.
- check the functionality of the blind and the activity of the brake

LED LIGHTING:

If the delivery also includes LED lighting, it is also necessary to take the electricity connection into consideration during assembly. (Drawing of electricity supply cables, etc.)

WORK ON THE ELECTRICAL EQUIPMENT OF THE BLIND MUST ONLY BE CARRIED OUT BY AN EMPLOYEE WITH THE RESPECTIVE QUALIFICATION. (REGULATION 50/78 COLL.)

SOURCE 12V 1.5A INTO THE PRINTED CIRCUIT

Manufacturer: VELLEMAN

Catalogue number: NZPSS1215M

Warranty (months): 24

In stock: 2 pcs

Stabilizing switching source into the printed circuit 230V AC to 12V DC

Input voltage: AC 230V \pm 15%

Input frequency: 47Hz - 63Hz

Output at the load: DC 12V \pm 3%

N-load outlet: DC 13.8V \pm 3%

Output current: 0 ~ 1.5A

Efficiency 87%

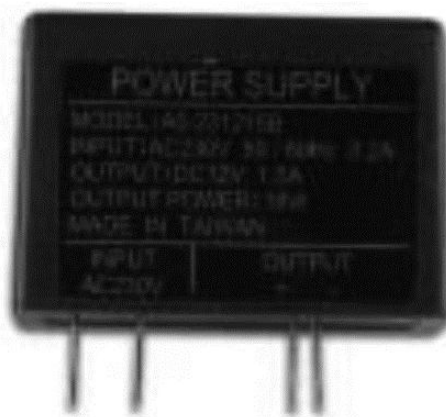
Waving: 1.7Vpp max. (100Hz) for output current 1.5A

Operating temperature: -10°C ~ +60°C

Dimensions: 50 x 20 x 35mm

Weight: 50g

PSS1215 has protection against overloading, short-circuit and thermal protection. The output voltage decreases to zero in these cases.



The restoration of the function is possible only with the disconnection of the 230V supply (and after cooling). Time necessary for cooling and the time for disconnection during overloading depend on the ambient temperature.

BUTTON DIMMER AND SWITCH FOR LED TAPES (L4ESD1)

USER MANUAL

The dimmer/switch integrated into the standard switch into the electrical installation box. The function soft start/stop helps the eyes; the last adjusted level of the lighting is remembered and in the case of interruption of the supply then operation in two regimes is possible when after connection of supply it is either connected or disconnected with the last adjusted level.

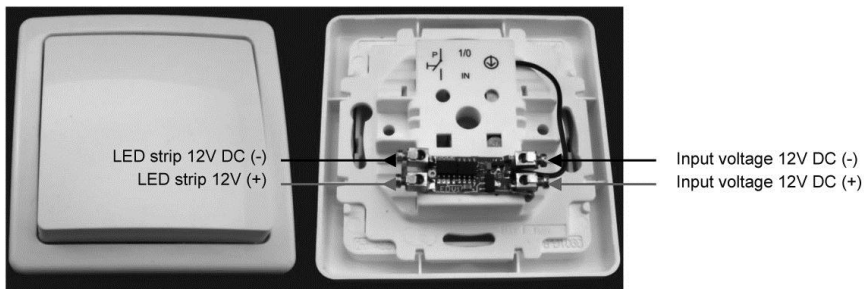
Supply voltage 8-15V DC

Maximum current: 10A (120W)

Range of regulation 0-100%

Dimensions 10x25mm

Consumption in standby mode 0.06W



Upon request, a dimmer can be built-in into any switch, so you can choose any design to match the other switches and sockets in the room. We will either agree to the type of switch which is delivered by us, or you can send your switch into which we will build in the dimmer and will send it back or we will send you the dimmer module which you can build into the switch yourself.

PAY ATTENTION ABOUT THE CHANGE OF THE POLARITY OF THE SUPPLY VOLTAGE! WHEN THERE IS AN INVERSION OF THE POLARITY, THE MODULE WILL BE DESTROYED. FROM THE NEXT SERIES, THERE WILL BE PROTECTION AGAINST THE INVERSION OF POLARITY.

SETTING THE REGIME

Dimmers are set in production in the Start-OFF regime (after connection of the supply, the outlet is disconnected). If you require it then after connection the LED will automatically shine

(this is activated in the last saved intensity), so proceed as follows:

1. Disconnect the supply voltage
2. Press the button and connect the supply voltage
3. Hold the button for about 5s, after connection the supply tape flashes 3x indicating that it is switched into the Start-ON mode.
4. Release the button, the operating mode has been changed.

For a repeated change of the mode, repeat this procedure, after switching into the Start-OFF mode, it flashes 2x.

CONTROL

After a short pressing of the button, the LED will activate and deactivate. The starting and run out is automatic. During activation, the LED is activated at about 1s from 0% to the last adjusted intensity; during disconnection, it will switch off in about 1s from the adjusted intensity to zero. (Automatic start in the Start-ON mode is immediate or with a delay of about 0.2s from connection of the supply.) By holding the button for longer than about 3s, the intensity is automatically changed; by releasing the button, it will stop at the actual level. During re-activation of the darkening, the direction of the darkening is turned, so to pass the requested intensity you can quickly return several steps back. At the min/max levels there is a delay of about 1s for the simplification of setting the maximum output or minimum consumption.

VERSIONS FOR THE CONNECTION OF LED TAPES

