

AWNING

1. ASSESSMENT

PRIOR TO ASSESSMENT

Verify the expected area of assembly for the flatness of the siding, wall and its capacity for placing the awning. Assess the height of placing the awning in terms of fulfilling the shading requirement and expected dimensions. Assess the visual aspect of placing the awning.

ASSESSMENT

Width (mm) = the actual width of the awning (if assembling into an opening, measure the width of the opening).

Height (mm) = the actual height of the awning (if assembling into an opening, measure the height of the opening).

Note: When the awning is pulled out to the fullest, it is necessary to maintain the minimum passage height of 2200mm.

2. ASSEMBLY

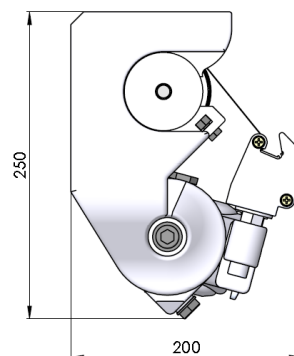
To avoid assembly mistakes and other complications associated with it, only assemble the awning according to this manual.

CHECKING:

- We recommend you check all parts upon the delivery of the goods prior to assembly, which can help avoid possible complications. Please inform the manufacturer of any possible shortages or comments related to assembly or to the blinds themselves.

2.1 OWN ASSEMBLY OF THE AWNING WITHOUT THE SUPPORTING PROFILE - JASMINE

- Unpack the awning in such a manner that only the side consoles with the opening for mounting are visible
- Balance out the side consoles and measure the distance of the openings
- Check the flatness of the assembly location
- Mark the measured values on the assembly location and drill the openings
- Blow the openings out, fill the anchoring material with putty and leave it to dry
- Place the awning on the bolts, fix them with nuts (in the case of electric control, connect the electrical supply)
- Unpack the rest of the awning, unfold the awning, set the angle, check the flatness of the thrusting profile, check and tighten all nuts and bolts
- Check the functionality of the control



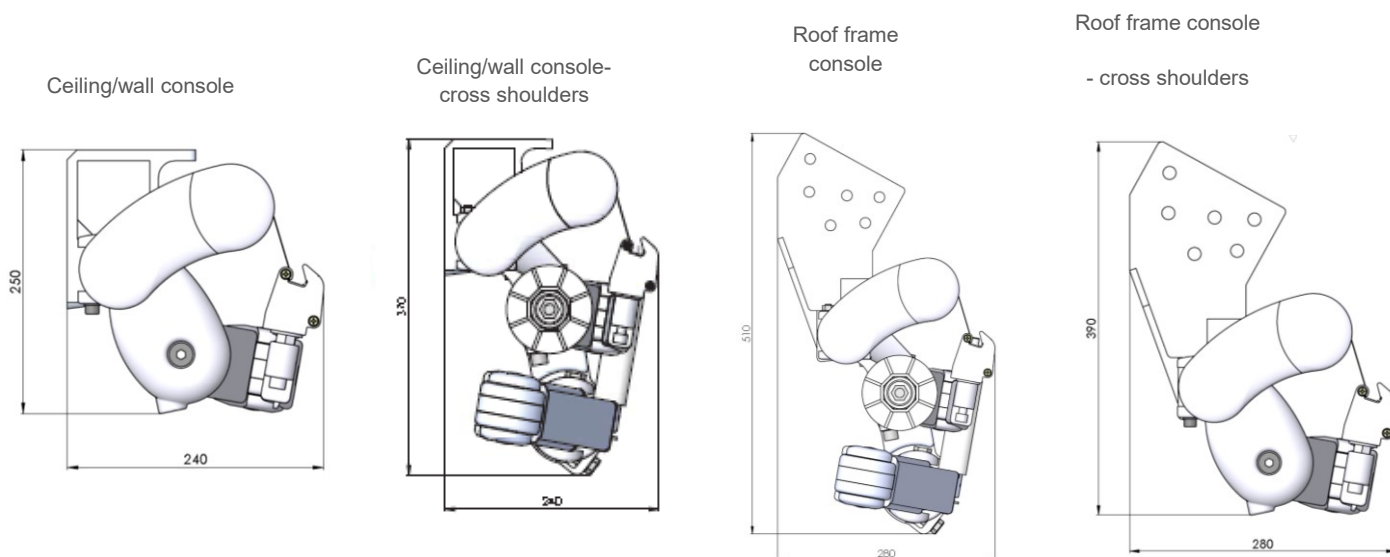
Validity of manual: 1. 7. 2013

1

2.2 OWN ASSEMBLY OF THE AWNING WITH THE SUPPORTING PROFILE – STELA

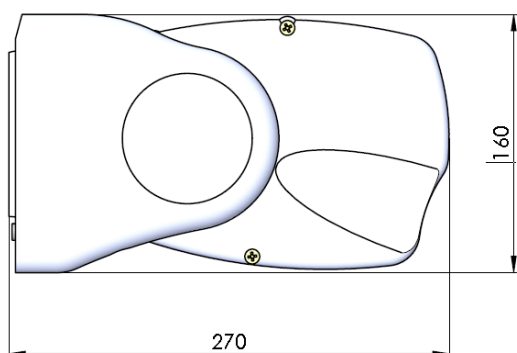
- Unpack the awning and check to see it contains all necessary components
- Check the flatness of the assembly area
- Measure the consoles and mark the distance of the openings
- Blow the openings out, fill the anchoring material with putty and leave it to dry
- Fasten the wall consoles, check the flatness and tighten the bolts
- Place the awning on the bolts, fix them with nuts (in the case of electric control, connect the electrical supply)
- Unfold the awning, set the angle, check the flatness of the thrusting profile, adjust the cradle if necessary, check and tighten all nuts and bolts
- Check the functionality of the control

Technical note: the placement of the side consoles of the awning are at a maximum of 150mm from the groove of the shoulder or cradle supports

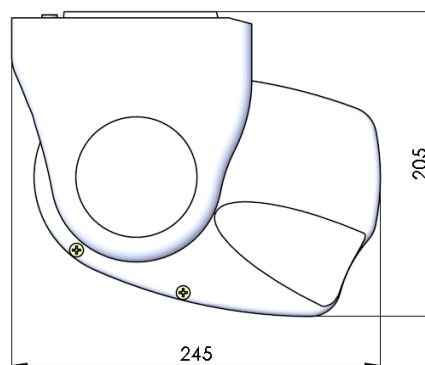


2.3 OWN ASSEMBLY CASE AWNING – EMMA

- Unpack the awning and check to see it contains all necessary components
- Check the flatness of the assembly area
- Put the wall consoles into the side consoles, measure the distance of the openings
- Transfer the measured values onto the assembly location, mark and drill openings
- Blow the openings out, fill the anchoring material with putty and leave it to dry
- Fasten the wall consoles and check the flatness of the tightening
- Place the awning on the bolts, fix them with nuts (in the case of electric control, connect the electrical supply)
- Unfold the awning, set the angle, check the flatness of the thrusting profile, check and tighten all nuts and bolts
- Check the functionality of the control



Wall console



Ceiling console

GENERAL PROCEDURE FOR SETTING THE ANGLE OF THE AWNINGS:

- The angle of the awning is set to its minimum when it leaves production
- Upon assembly of the awning, unfold it into the lower position, loosen the bolts on the grooves of the shoulders
- Set the required angle with the lower setting bolt / by turning to the left
- Tighten all loose bolts

GENERAL PROCEDURE FOR SETTING THE CRADLE OF THE AWNINGS:

- The angle of the awning is set to its minimum when it leaves production
- Upon assembly, loosen the side socket head bolts on the cradle so that the plastic part can move freely
- Unfold the awning into the lower position, set the required angle of the awning (the fabric must be stretched out) and set the plastic part of the cradle so that the fabric hangs out of the cradle closer to the upper part of the plastic part
- Tighten the socket head bolts and test the functionality of the awning

ILLUSTRATIVE ASSEMBLY:



