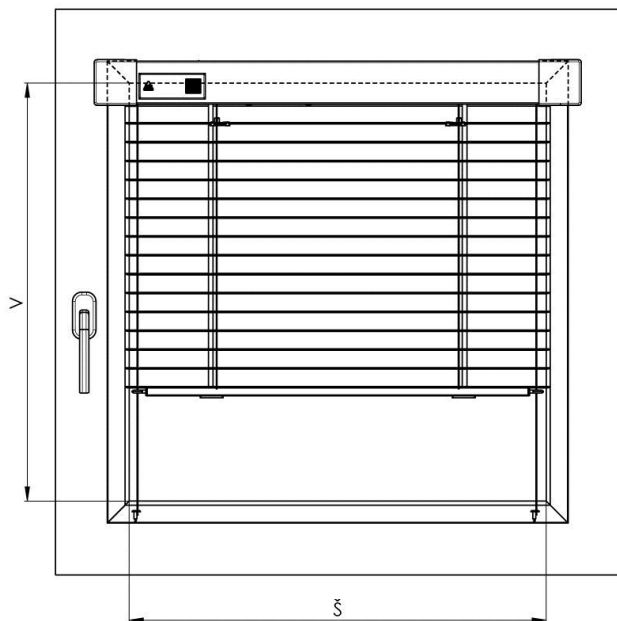


# SOLAR BLINDS - ISOTRA ENERGY

Rectangular window



## 1. MEASUREMENTS

Isotra system blinds are designed for assembly into the window wing of plastic and wooden Euro windows.

THE WIDTH AND HEIGHT ARE MEASURED IN THE FOLLOWING MANNER:

w.... (width)

The measurement is taken at the glass from the left inside edge of the glazing bar to the right inside edge of the glazing bar, including the rubber or silicon sealing in three places – up, middle and down. When manufacturing and ordering the blind, the minimum measured dimension is stated.

The width of the blind is produced with the precision of millimetres from the width 400 mm to 2000 mm with a tolerance of  $\pm 1$  mm.

h .... (height)

The measurement is taken at the same depth of the glazing bars as the width of the blind, from the upper bar to the lower bar.

The height of the blind is produced with the precision of millimetres from the height of 300 mm up to 2200 mm with a tolerance of  $-3 / +27$ mm.

d .... (depth)

The depth of the glazing bar is measured in relation to the use of the distance bases under the side board for the blinds. There is a left and right base.

Depth of the glazing bar:

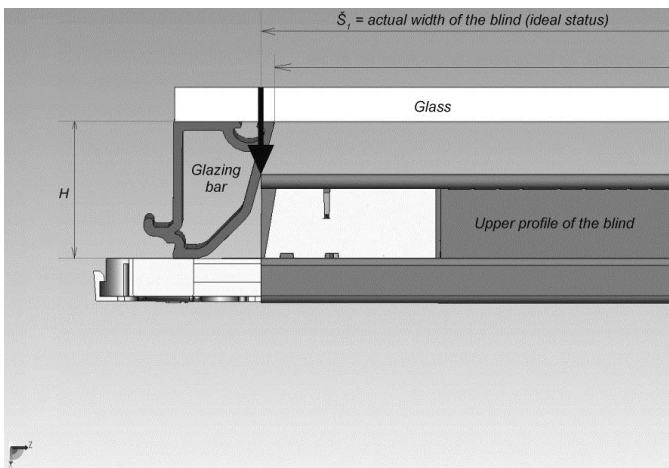
19 and more mm – no base

15 - 19 mm one base on each side

11 - 15 mm two bases on each side

Maximum guaranteed area: 2.5 m<sup>2</sup>

DIMENSIONS OUTSIDE THE STATED LIMITS ARE RECOMMENDED TO BE CONSULTED WITH THE MANUFACTURER.



The ideal measurements of the blind are in the diagram. Such measurements can be taken by using the cut of the upper profile, the side board; by placing this aid on the glazing bar it is possible to state the point, the maximum possible width of the blind, and from this point the dimension of the same point on the opposite side is measured. This marking is always influenced by the form and size of the glazing bar of the window profile.

## 2. ASSEMBLY

Assemble exactly according to this manual to prevent redundant assembly errors and other related problems.

AIDS FOR ASSEMBLY:

- electric drill, drills
- cross-head screwdriver
- knife, scissors, pliers

	for fixing blinds	for fixing the holder of the chain	hole for tightening pin
screw	3,9 x 16; 3,9 x 22	-	3.2 mm for plastic windows and Al windows; 3 mm for wooden windows
drill with the diameter Ø	2,5 mm	-	

**INSPECTION:**

- Before assembly we recommend inspecting all parts after the delivery of the goods to prevent any problems. The manufacturer must be notified of any defects or comments concerning the assembly parts or blinds.

**ASSEMBLY**

- do not expand the blinds before assembly - this is not possible and can damage the blind (the blind is controlled by an engine, temporarily without a connection, it is controlled separately).
- check that the dimension corresponds to the width of the window on the blind in the window wing
- depending on the depth and form of the glazing bar, support the blind using pads
- screw the blind to the window frame using two or three screws according to the size of the blind; for plastic windows only screw into the glazing bar in order to prevent damage to the window wing.
- drill upwards into the lower part of the glazing bar and drill holes for the tightening pins for the leading nylon which pass in the side boards, then tighten the redundant ends and insert the remaining ends of the nylon into the upper profile of the blind.
- cover boards with decorative covers
- check the function of the blind
- Assemble all the blinds. They must be facing upwards when delivered from production.
- Blinds are initiated and calibrated in production to be able to immediately test the function.

If it is not possible to drill holes for the tightening pins into the glazing bar from upwards because of the form or the size of the glazing bar, choose the option of drilling the holes for pins into the face of the glazing bar. using this option, take care not to damage the glass with the drill. It is important to measure the correct drilling depth! The client must be informed in advance of this form of assembly and consent in writing in the handing over protocol. Finally, ensure the full functionality of the blind and the window.

**ATTENTION!**

During assembly it is necessary to place the blind in the window when it is lifted up; mark the position of the screws on the window wing, fit the blind and then lower it. Each manipulation of the blind before assembly (if necessary) is only to be in the horizontal position! Any other manipulation is forbidden and claims for such damaged blinds will not be accepted!

**SETTING THE BLIND FOR OPERATION:**

Blinds are delivered with the batteries removed. To be able to operate the blind, insert the batteries (accumulator) into the blind.

Take the new accumulator and insert the connector into the connecting connector of the electronic system. The arresting pin of the connector on the cable must go directly backward. As soon as you feel a fine clicking, the accumulator is connected. Attach the plastic cover of the accumulator and secure it by moving it to the left.

To be able to fully use the blind(so it correctly responds to wireless commands and it correctly moves within the scope of the window), it must be correctly mechanically installed and secured.

**THE FOLLOWING COMMAND IS USED: FAST CALIBRATION**

This command is always used when the battery is removed and re-inserted into the blind (e.g. transport).

Quick calibration means the restoration of the original adjusted values of the route of the blind. this command must be carried out as follows:

- press any button on the control unit (activation of the control unit) and the following text will appear on the display:  
Whole house
- for fast calibration of all blinds, press the F3 button for about 3 seconds. The following is shown on the display: quick calibration. All blinds are now prepared and fully functional. Quick calibration and the checking of the function can also be carried out for individual blinds.

AFTER THIS FAST CALIBRATION, ALL BLINDS RESPOND AS FOLLOW:

- 2 x quickly press up arrow: the blind moves itself upward
- 2 x quickly press down arrow: the blind moves itself downward
- 1 x up arrow: the blind is closed
- 1 x down arrow: the blind is opened
- press the up arrow and hold: regulate the tilting in the direction of the opening
- press the down arrow and hold: regulate the tilting in the direction of closing

If typing commands, see above, in the whole house position, all blinds will respond - to control only some of the blinds, it needs to be in the whole house position, press Enter, select with + , - the required blind and the above-mentioned commands are valid only for that specific blind.

Now the blinds are prepared for operation. However, there are many functions that can be used after familiarization of the document "Description of ENERGY system", which is included in the delivery with the blinds.

ILLUSTRATIVE ASSEMBLY

