

Setting up the receiver and controller

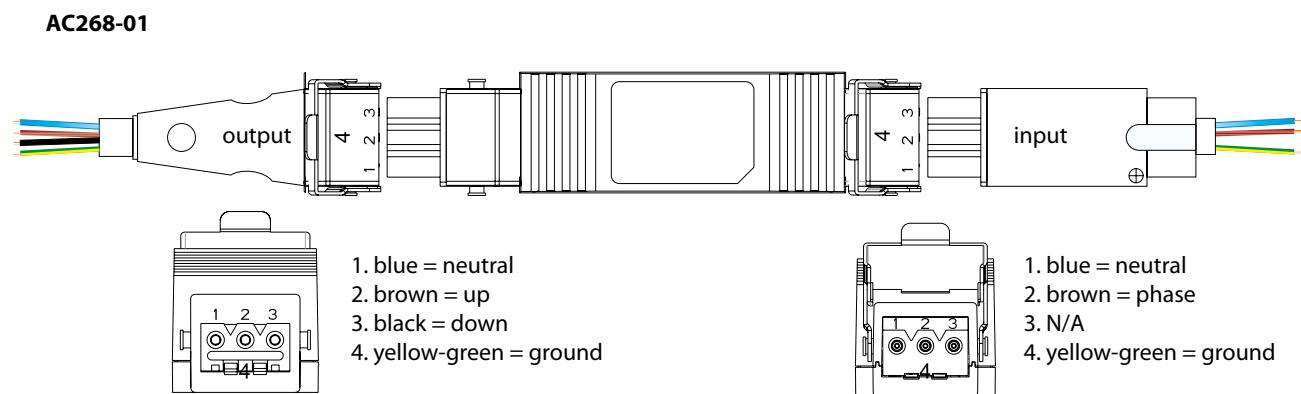
Function:

- Connection to mechanical motors;
- RF controls;
- Possibility to set the favourite end position;
- Adjustable tilt;
- easy installation using Hirschmann connectors.

Parameters:

Type	Voltage	Input	Frequency	Range	Protection
AC268-01	100-240VAC 50/60 HZ	< 300W	433.92MHz +75KHz	< 80m	IP54

Diagram:



Installation:

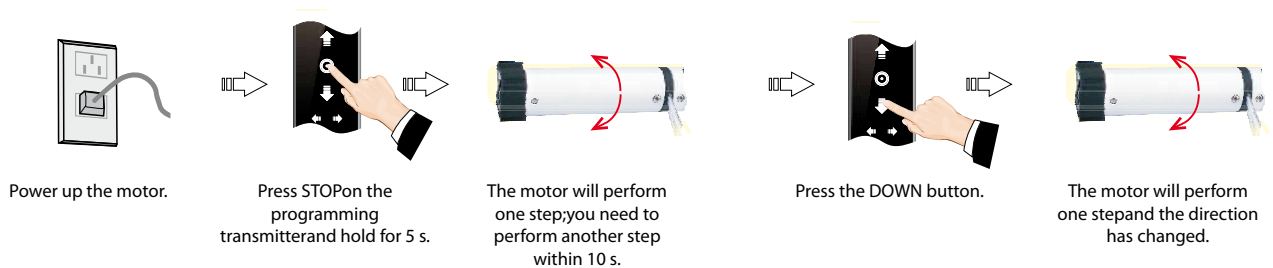
1. Programming

If activity does not start within 10 s, the motor will automatically leave the programming mode.



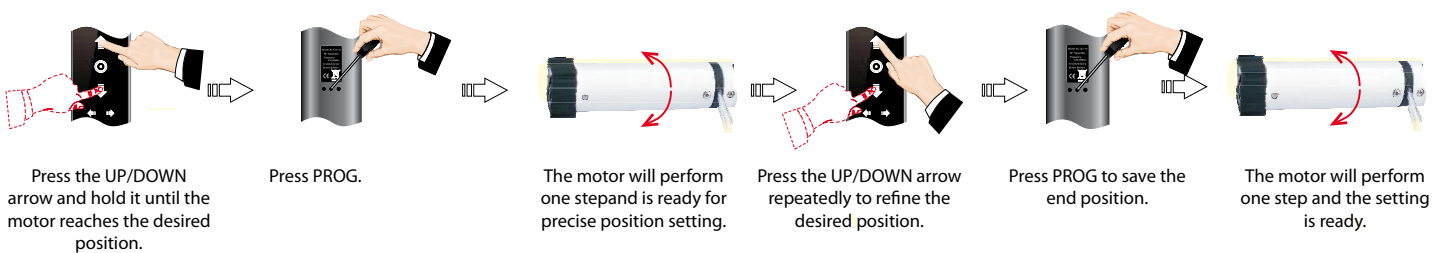
2. Change of direction

Note: Change the sense of rotation if the motor is turning in the opposite direction.

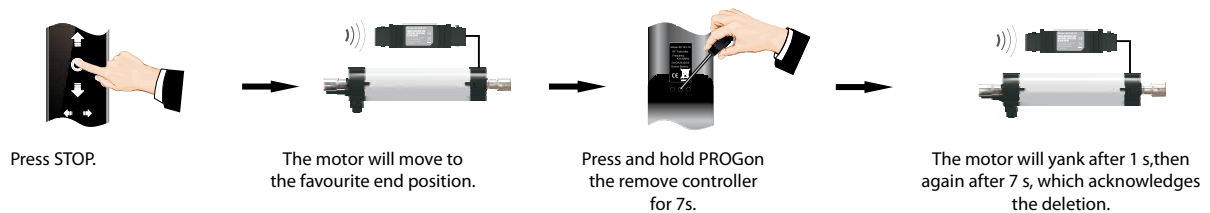


3. Precise setting of the favourite end position

If activity does not start within 30 s, the motor will automatically leave the programming mode.

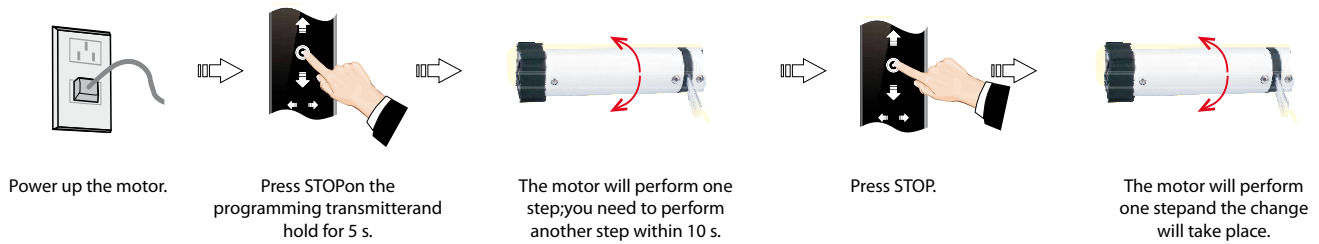


4. Deleting the favourite end position



5. Changing the step mode to continuous mode

Note: The step mode is set as default, it may be changed as required; unless the setting of the upper and lower end position has finished, or if the motor is in the precise setting mode, only the step operation will be set.



6. Adding a new transmitter



7. Deleting the memory of one channel



8. Deleting all memories

